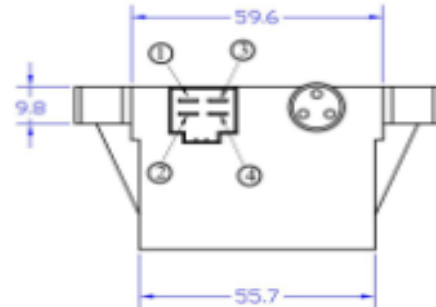
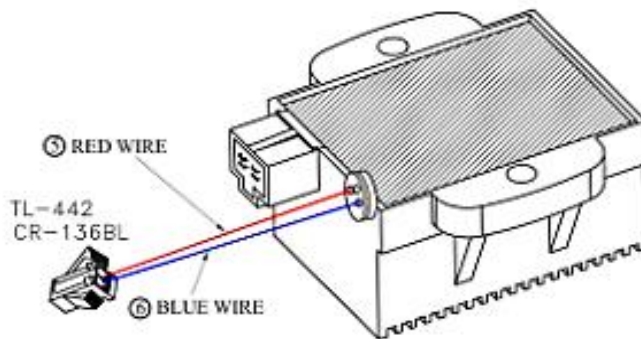


PART No.	SAP-0990GZ	SPECIFICATIONS
PRODUCT	DC-DC CONVERTER	
TYPE	10A	



CONNECTING DETAILS :-	
①	INPUT GND
②	INPUT SUPPLY
③	OUTPUT GND
④	OUTPUT 12V SUPPLY
⑤	OUT PUT +5V
⑥	OUT PUT GND

SPECIFICATIONS

DIMENSION (mm)	L - 81, W - 86.2, H - 44.2
-----------------------	----------------------------

ELECTRICAL DETAILS

A DC INPUT & OUTPUT		
1	Input Voltage Range	40V – 90V DC
2	Output Voltage Range	12.5V±0.3V DC; 5V DC
3	Output Current	10A Continuous; 1A Continuous (1.5A Peak)
4	Efficiency	90% Minimum
5	Peak Current	13A Peak
6	Ripple & Noise	160mV – 200 mV Peak to Peak
7	Operating Temperature	-40 Deg C To +80 Deg C
B PROTECTIONS		
1	Short Circuit Protections Both Input & Output Side.	
2	Reverse Polarity Protections Both Input & Output Side.	
3	Over Voltage & Under Voltage Protections Both Input & Output Side.	
4	Over Temperature Protections - 40 deg C To +80 deg C.	