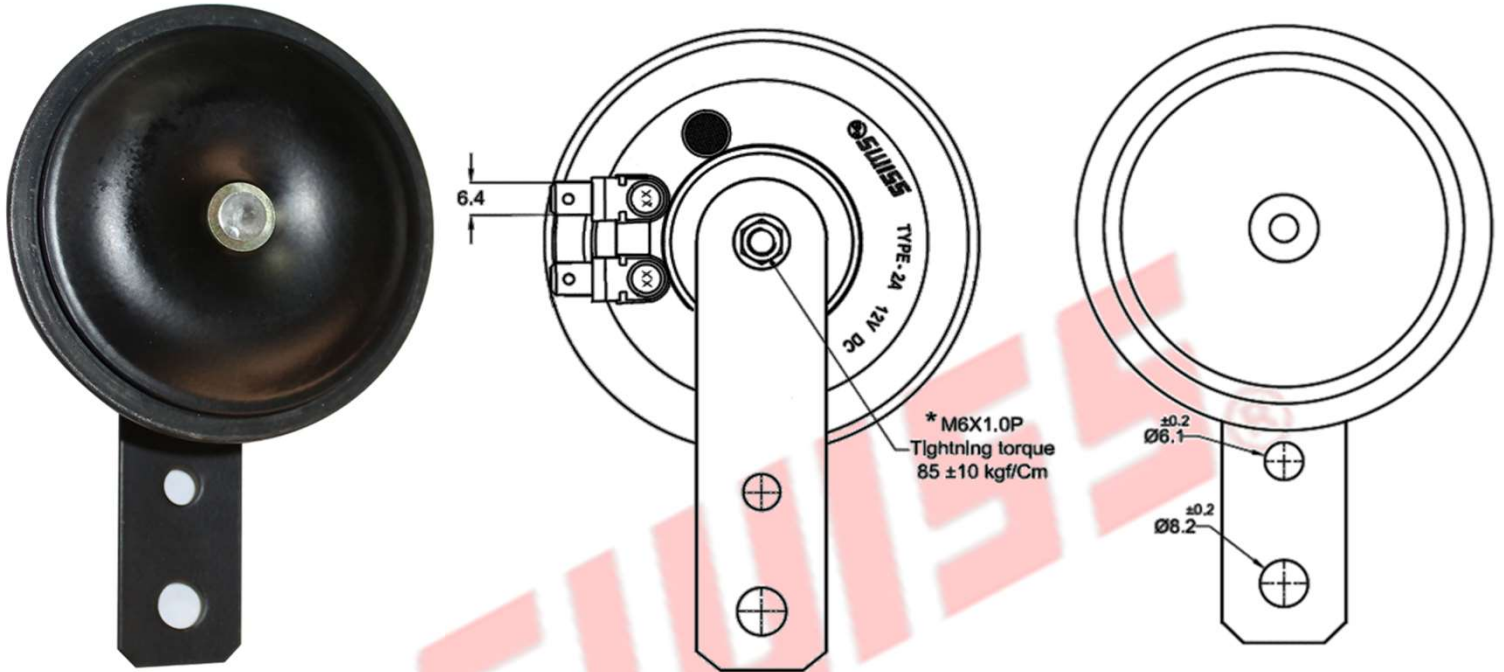


PART No.	SAP-4032	SPECIFICATIONS
PRODUCT	HORN	



SPECIFICATIONS

OUTER DIAMETER	75 mm
OPERATING TEMPERATURE	-40 °C ~ +125 °C
WEIGHT	153 gm / 0.348 lbs approx

ELECTRICAL DETAILS

1	OPERATING VOLTAGE RATING	12 V
2	CURRENT RATING	2 AMP
3	FREQUENCY	480 Hz
4	SOUND	110 dB