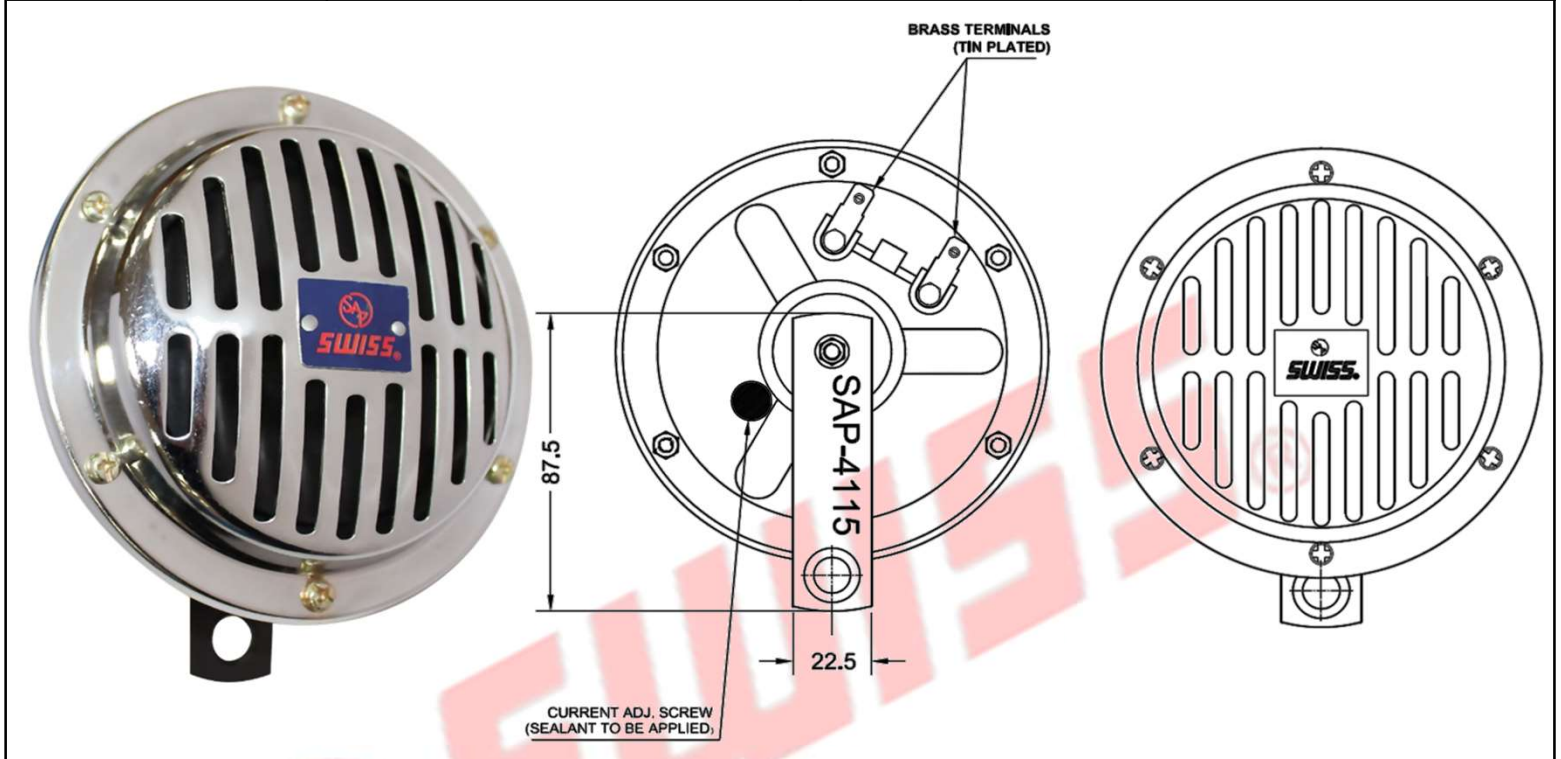


PART No.	SAP-4115	SPECIFICATIONS
PRODUCT	HORN	



SPECIFICATIONS

OUTER DIAMETER	125 mm
OPERATING TEMPERATURE	-40 °C ~ +125 °C
WEIGHT	460 gm / 1.01 lbs approx

ELECTRICAL DETAILS

1	OPERATING VOLTAGE RATING	12 V
2	CURRENT RATING	2.5 AMP
3	FREQUENCY	350 Hz
4	SOUND	110 dB