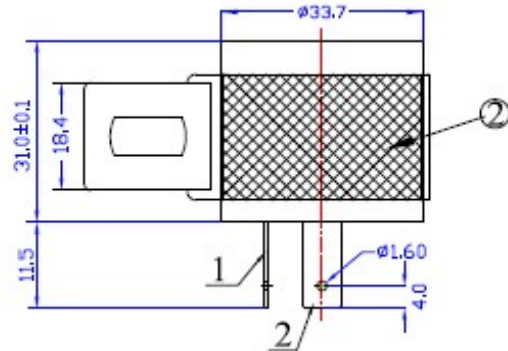



<b>PART No.</b>	SAP-0932	<b>SPECIFICATIONS</b>
<b>PRODUCT</b>	Flasher with Buzzer	



**CONNECTION DETAIL:-**

B- SUPPLY +12V  
L- LOAD OUTPUT

ABS BOX COLOUR - BLACK  
ABS RUBBER COLOUR - BLACK   
RUBBER & CLAMP PASTED WITH ADHESIVE

**SPECIFICATIONS**

<b>DIMENSION (mm)</b>		H : 42.5, D:33.6
<b>OPERATING TEMPERATURE</b>		-40 °C ~ +80 °C
<b>WEIGHT</b>		50 gm.
<b>ELECTRICAL DETAILS</b>		
1	Input Voltage	11VDC to 15VDC
2	Input rated voltage	12.8VDC ± 0.5VDC
3	Flash rate at no Load	Flasher off
4	Flash Rate at Load 10WX1	120~200FPM
5	Flash Rate at Load 10WX2	75~95FPM
6	Flash Rate at Load 10WX4 + 5W	75~95FPM
7	Buzzer sound	95±15 dB