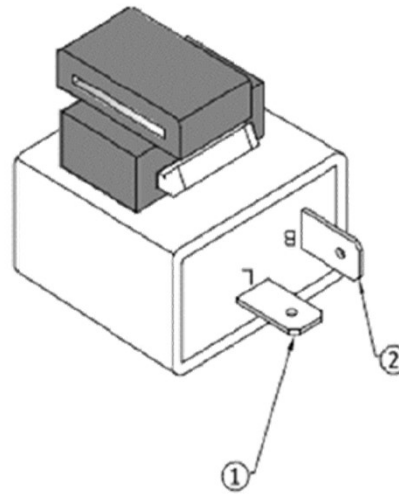


<b>PART No.</b>	SAP-0916	<b>SPECIFICATIONS</b>
<b>PRODUCT</b>	Non-Variable Flasher	



**CONNECTION DETAILS:-**

- ① LOAD O/P.
- ② SUPPLY +12V

**SPECIFICATIONS**

<b>DIMENSION (mm)</b>		L: 28.5, W: 28.5, H: 16.3
<b>OPERATING TEMPERATURE</b>		-40 °C ~ +80 °C
<b>WEIGHT</b>		50 gm.
<b>ELECTRICAL DETAILS</b>		
1	Input Voltage	11VDC to 15VDC
2	Input rated voltage	12.5VDC
3	Operating wattage at 12.5VDC	90W
4	Flash rate at no Load	Flasher off
5	Flash Rate at Load 21WX1	75~95 FPM
6	Flash Rate at Load 21WX2	75~95 FPM
7	Flash Rate at Load 21WX4	75~95 FPM