
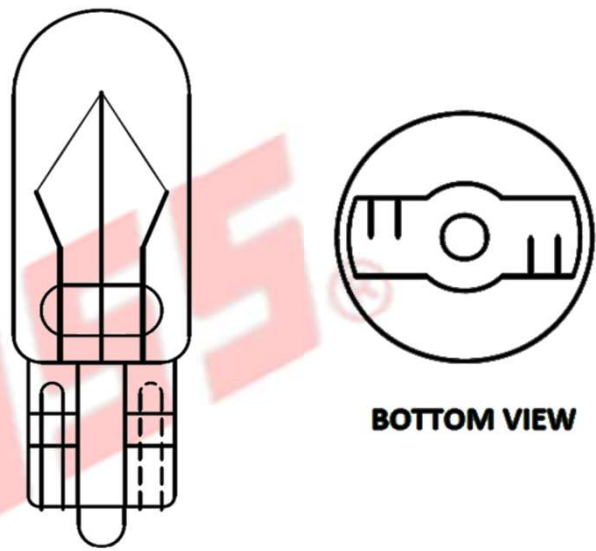


PART No.	SAP-2270	SPECIFICATIONS
PRODUCT	WEDGE BASE BULB	

Final Product	Connection Details
	 <p style="text-align: right;">BOTTOM VIEW</p>

SPECIFICATIONS

DIMENSION (mm)	L : 25
CAP BASE	T10
COLOUR TEMPERATURE	Natural

ELECTRICAL DETAILS

1	TEST VOLTAGE (V)	12 Volt
2	WATTAGE (W)	3.4 W
3	CURRENT (Amp)	0.25 Amp
4	LUMINOUS FLUX (lm)	26 - 44 (lm)