
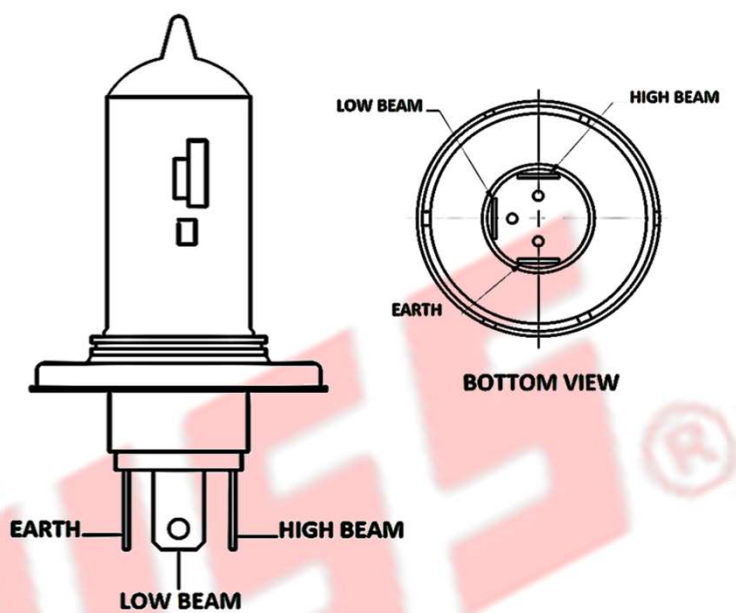


| | | |
|-----------------|-----------------|-----------------------|
| PART No. | SAP-2556 | SPECIFICATIONS |
| PRODUCT | HALOGEN BULB H4 | |

| Final Product | Connection Details |
|--|--|
|  |  |

SPECIFICATIONS

| | |
|--------------------|---------|
| DIMENSION (mm) | L : 92 |
| CAP BASE | P45T |
| COLOUR TEMPERATURE | Natural |

ELECTRICAL DETAILS

| DRIVING MAIN FILAMENT | | |
|------------------------------|--------------------|------------------|
| 1 | RATED VOLTAGE (V) | 24 Volt |
| 2 | WATTAGE (W) | 75 W |
| 3 | CURRENT (Amp) | 3.12 Amp |
| 4 | LUMINOUS FLUX (lm) | 1600 - 2200 (lm) |
| PASSING DIP FILAMENT | | |
| 1 | RATED VOLTAGE (V) | 24 Volt |
| 2 | WATTAGE (W) | 70 W |
| 3 | CURRENT (Amp) | 2.9 Amp |
| 4 | LUMINOUS FLUX (lm) | 1000 - 1400 (lm) |