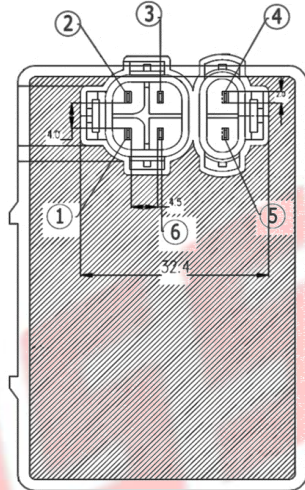


PART No.	SAP-0673C	SPECIFICATIONS
PRODUCT	C.D.I	

Final Product	Connection Details
---------------	--------------------



- ① EPOXY COLOUR - BLACK
- ② BOX COLOUR - BLACK



CONNECTION DETAILS:-

- ① G.N.D.
- ② PULSAR I/P
- ③ H.T. O/P
- ④ N.C.
- ⑤ VC
- ⑥ SUPPLY +12V

ELECTRICAL SPECIFICATIONS

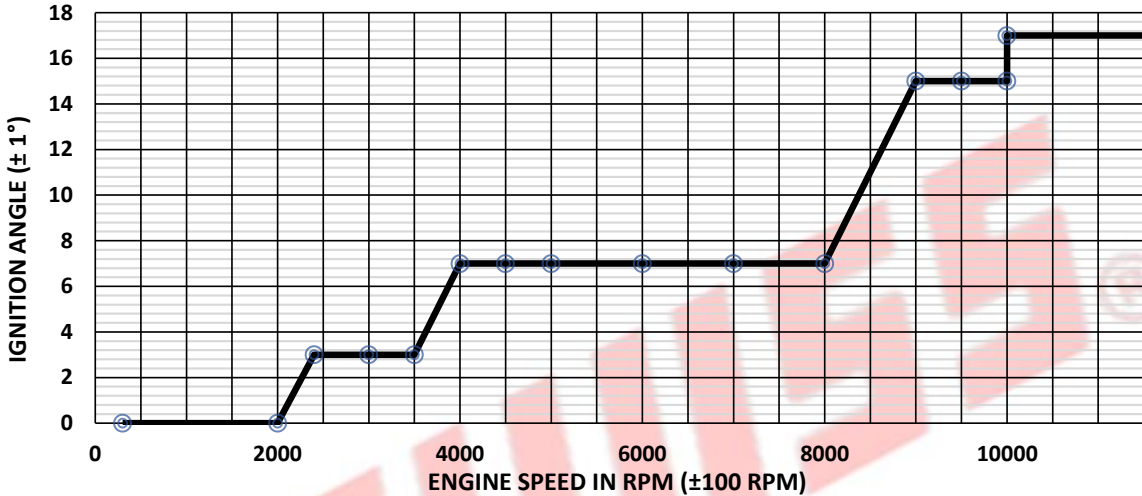
1	Initial Current Without Firing	41 (±3) mA
2	Initial Voltage With Firing	230 (±3) V
3	Maximum Current	592 (±15) mA
4	Voltage @ 9000 RPM	160 (±3) V
5	Spark Duration	29 μs (min) @ 2500 RPM
6	Firing Start	@ 300 RPM
7	Condenser Capacity (for Ignition)	2.2μf / 400VDC
8	Max. Angle Change	17° (Ref. Timing Curve)
9	Continous firing upto 10000 RPM	
10	Starter self signal cut-off after ignition ON	
11	In-built Reverse Polarity Battery Protection	
12	100% Burn-in for 1 hour with peak load at room temperature.	

PART No.	SAP-0673C
PRODUCT	C.D.I

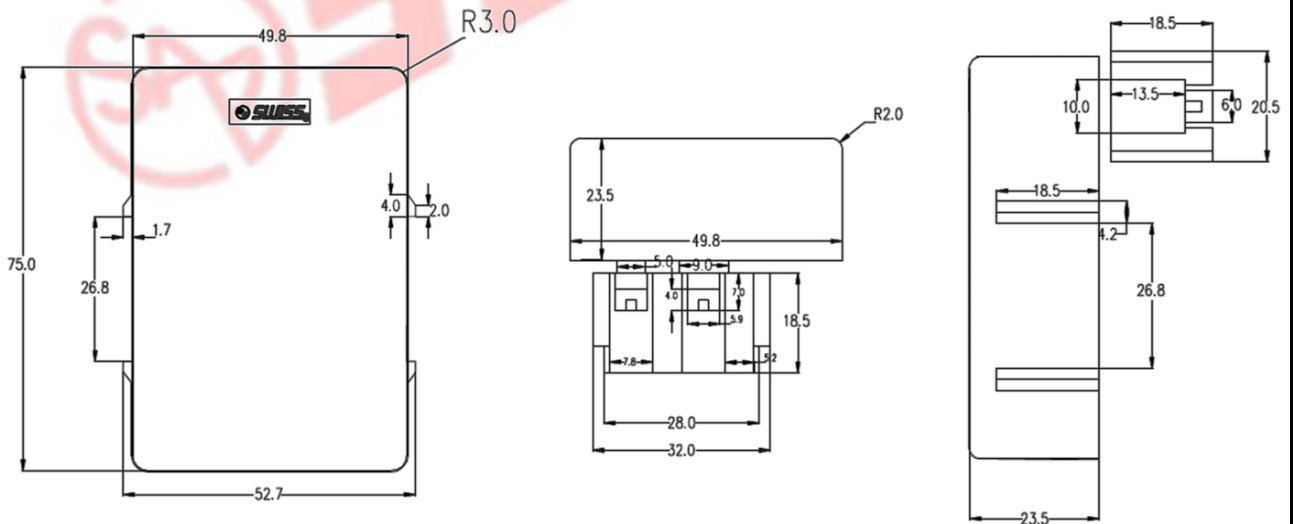
SPECIFICATIONS

PERFORMANCE GRAPHS

TIMING CURVE



MECHANICAL DRAWING



MECHANICAL SPECIFICATION

DIMENSION (mm)	L:75.0, W:49.8, H:23.5
WEIGHT	129 gms
Operating Ambient Temperature Range	-40 °C ~ +80 °C