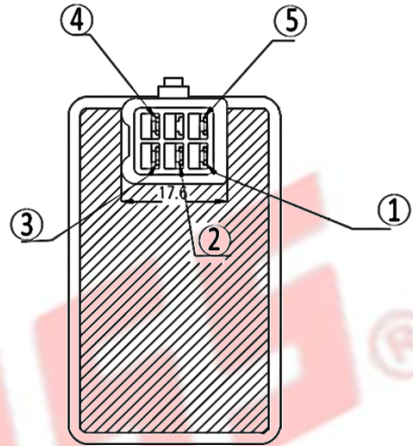


PART No.	SAP-0676	SPECIFICATIONS
PRODUCT	C.D.I	

Final Product	Connection Details
---------------	--------------------



- ① EPOXY COLOUR - BLACK
- ② BOX COLOUR - BLACK



CONNECTION DETAILS:-

- ① SUPPLY
- ② KILL SWITCH
- ③ G.N.D.
- ④ PULSER
- ⑤ H.T. O/P.

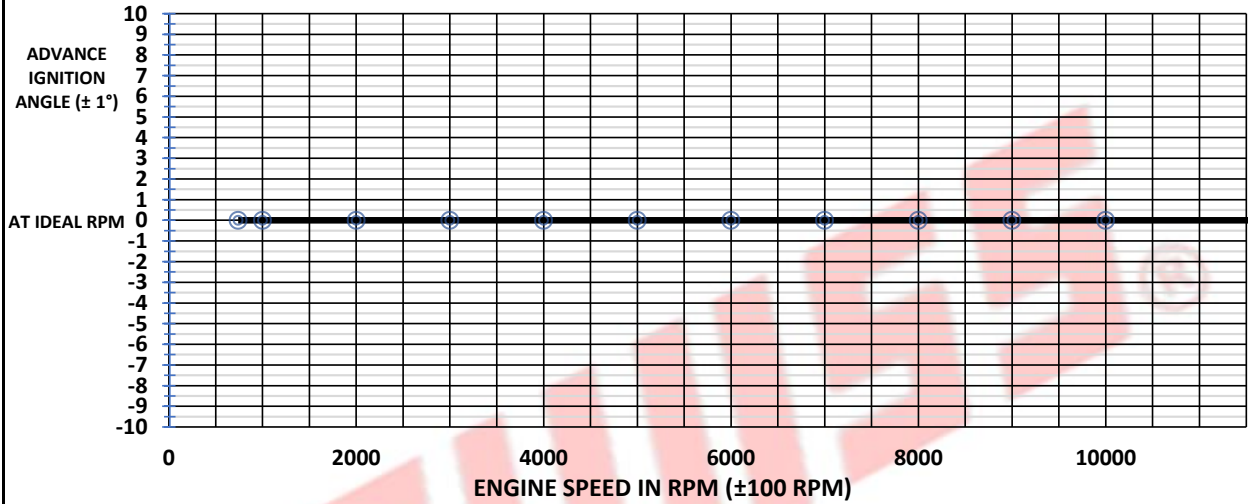
ELECTRICAL SPECIFICATIONS

1	Initial Current Without Firing	Standard
2	Initial Voltage With Firing	82 (±5) VAC
3	Maximum Current	Standard
4	Voltage @ 9000 RPM	226 (±5) VAC
5	Spark Duration	330 μs (min) @ 2500 RPM
6	Firing Start	@ 740 RPM
7	Condenser Capacity (for Ignition)	1.5μf / 400 VAC
8	Max. Angle Change	Constant (Ref. Timing Curve)
9	Continous firing upto 10000 RPM	
10	100% Burn-in for 1 hour with peak load at room temperature.	

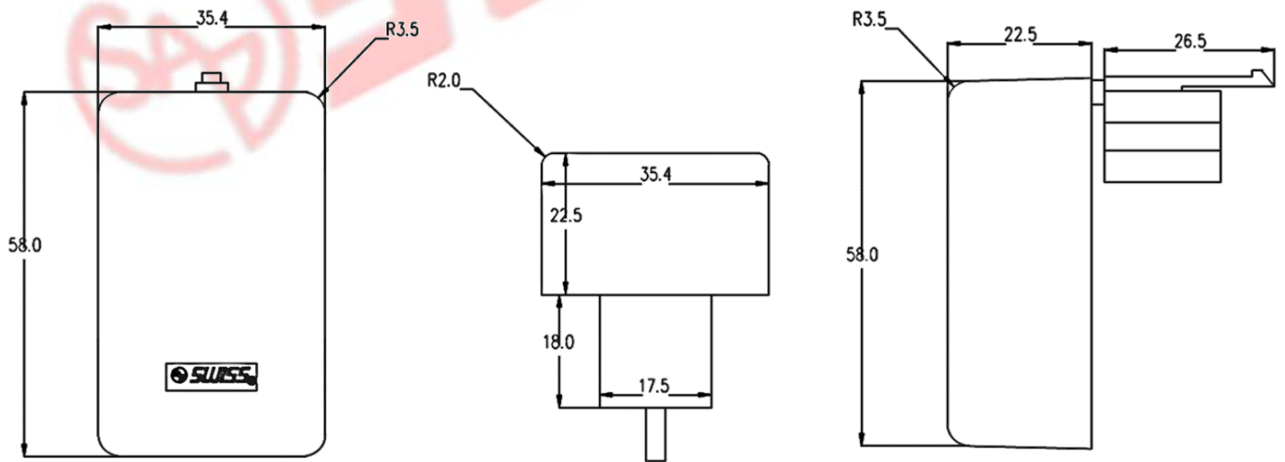
PART No.	SAP-0676	SPECIFICATIONS
PRODUCT	C.D.I	

PERFORMANCE GRAPHS

TIMING CURVE



MECHANICAL DRAWING



MECHANICAL SPECIFICATION

DIMENSION (mm)	L: 58.0, W: 35.4, H: 22.5
WEIGHT	56 gms
Operating Ambient Temperature Range	-40 °C ~ +80 °C