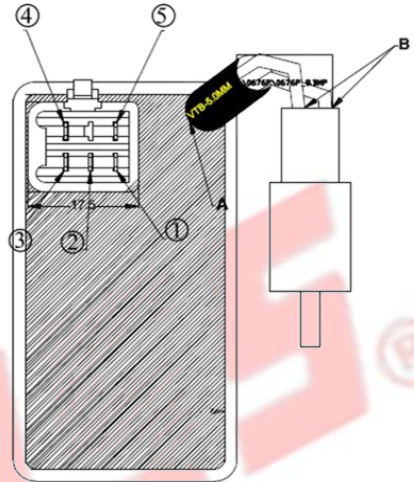


| | | |
|-----------------|-----------|-----------------------|
| PART No. | SAP-0676A | SPECIFICATIONS |
| PRODUCT | C.D.I | |

| Final Product | Connection Details |
|---------------|--------------------|
|---------------|--------------------|



- ① EPOXY COLOUR - BLACK
- ② BOX COLOUR - RED



CONNECTION DETAILS:-

- ① SUPPLY
- ② KILL SWITCH
- ③ G.N.D.
- ④ PULSER
- ⑤ H.T. O/P.
- ⑥ GREEN - G.N.D.
- ⑦ YELLOW - THROTTLE I/P.

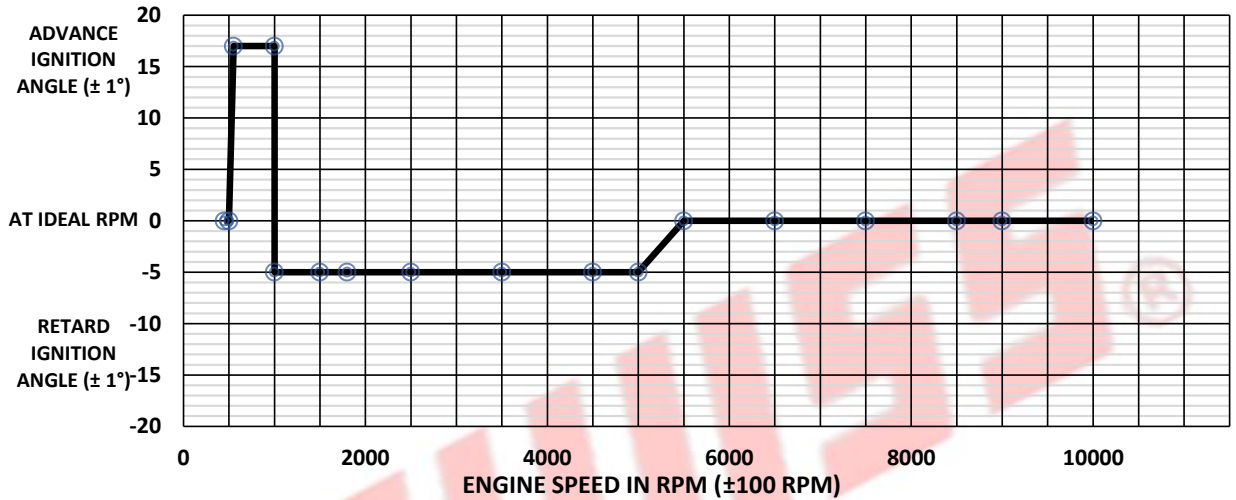
ELECTRICAL SPECIFICATIONS

| | | |
|----|---|-------------------------|
| 1 | Initial Current Without Firing | Standard |
| 2 | Initial Voltage With Firing | 82 (±5) VAC |
| 3 | Maximum Current | Standard |
| 4 | Voltage @ 9000 RPM | 226 (±5) VAC |
| 5 | Spark Duration | 236 μs (min) @ 2500 RPM |
| 6 | Firing Start | @ 450 RPM |
| 7 | Condenser Capacity (for Ignition) | 2.2μf / 275 VAC |
| 8 | Max. Angle Change | 17° (Ref. Timing Curve) |
| 9 | Continous firing upto 10000 RPM | |
| 10 | 100% Burn-in for 1 hour with peak load at room temperature. | |

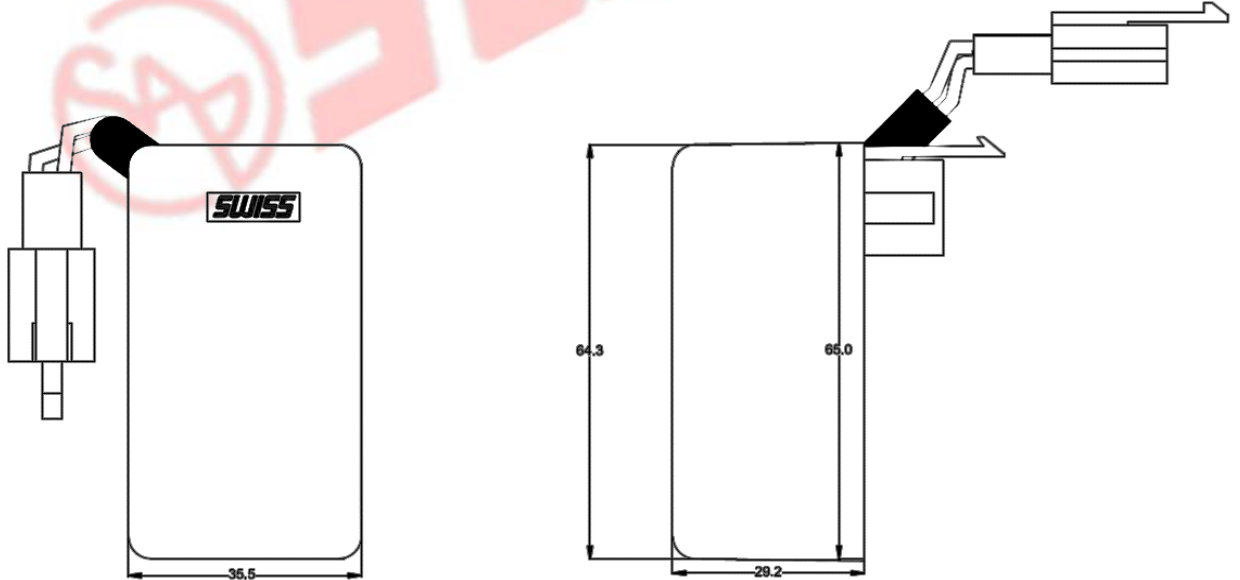
| | | |
|-----------------|-----------|-----------------------|
| PART No. | SAP-0676A | SPECIFICATIONS |
| PRODUCT | C.D.I | |

PERFORMANCE GRAPHS

TIMING CURVE



MECHANICAL DRAWING



MECHANICAL SPECIFICATION

| | |
|--|------------------------|
| DIMENSION (mm) | L:64.3, W:35.5, H:29.2 |
| WEIGHT | 98 gms |
| Operating Ambient Temperature Range | -40 °C ~ +80 °C |