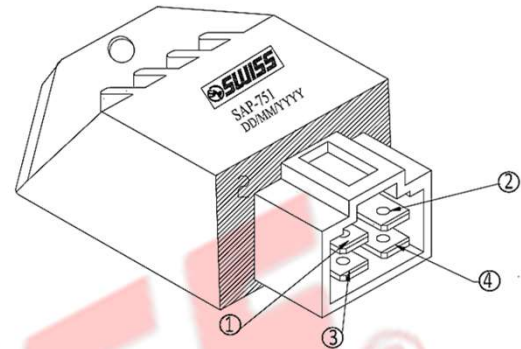


<b>PART No.</b>	SAP-0751	<b>SPECIFICATIONS</b>
<b>PRODUCT</b>	Regulator Rectifier	

<b>Final Product</b>	<b>Connection Details</b>
----------------------	---------------------------



BOX COLOUR - METALLIC GREY  
 EPOXY COLOUR - BLACK  
 COUPLER COLOUR - BLACK



**CONNECTION DETAILS:-**

- ① BATTERY (+)
- ② LOAD
- ③ CHARGING
- ④ G.N.D.

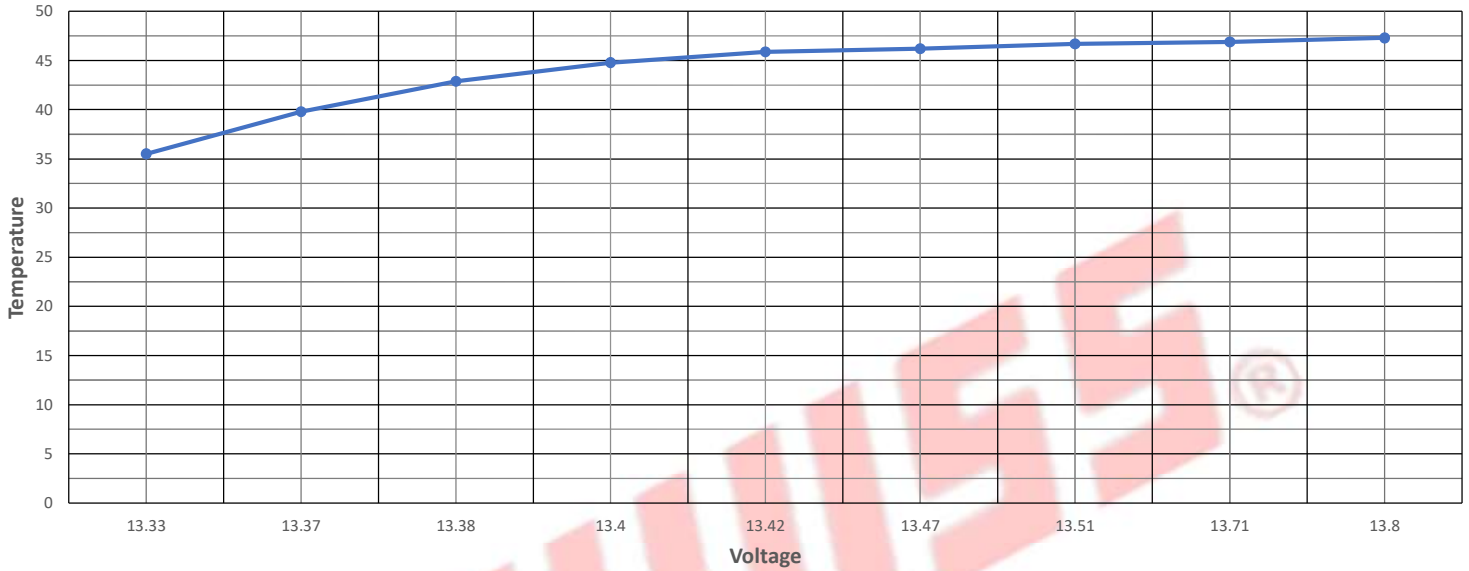
<b>ELECTRICAL SPECIFICATIONS</b>		
----------------------------------	--	--

1	<b>AC Input Voltage</b>	> 400Vpp @9000 RPM
2	<b>AC Input Frequency</b>	< 1KHz (606Hz) @9000 RPM
3	<b>DC Output Current at battery (With 12V/2.5W load)</b>	3.2 ±0.3 Amp. @3000 RPM
4	<b>AC Output Current at regulator (With 12V/35W load)</b>	2.8 ±0.3 Amps. @3000 RPM
5	<b>DC Output Voltage with battery</b>	13.7-14.27 VDC @3000 RPM
6	<b>DC Output Voltage in absence of battery</b>	15V @3000 RPM
7	<b>AC Output Voltage at regulator (With 12V/35W load)</b>	12.8-13.8 VAC @3000 RPM
8	<b>Temperature co-efficient of DC Output Voltage</b>	±4.3mV/°C @3000 RPM (fixed of time interval)
9	<b>SCR Forward Voltage Drop</b>	Max. 1.5V
10	<b>Terminal B &amp; E Leakage Current @ Vb=13V</b>	Max. 100uA
11	<b>Insulation Resistance</b>	100M Ohm
12	<b>Internal Device Allowed Temperature</b>	110°C

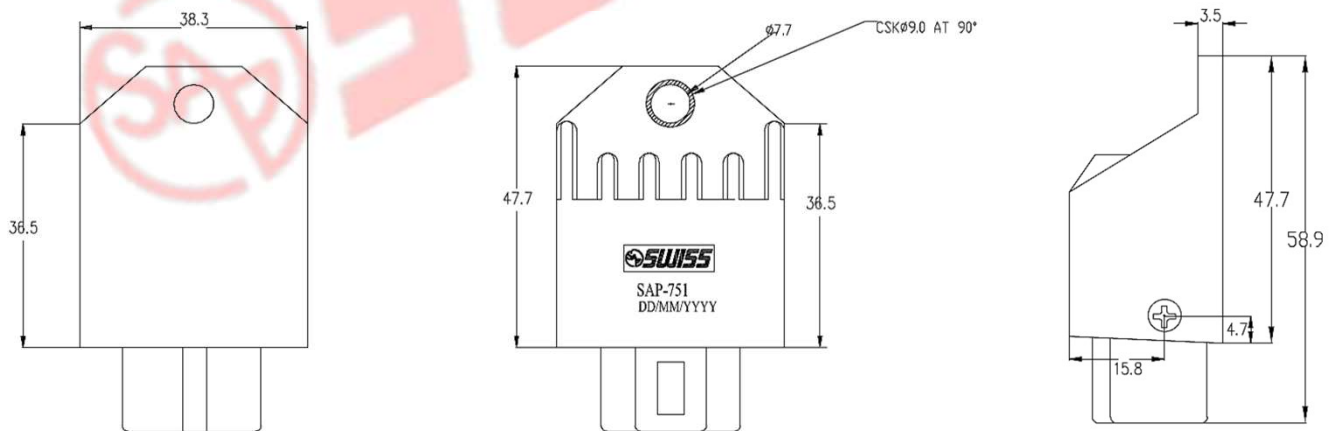
<b>PART No.</b>	SAP-0751	<b>SPECIFICATIONS</b>
<b>PRODUCT</b>	Regulator Rectifier	

### PERFORMANCE GRAPHS

#### Temperature Co-efficient Curve



### MECHANICAL DRAWING



### MECHANICAL SPECIFICATION

<b>ENCLOSURE</b>	Aluminium Case filled with epoxy resin
<b>DIMENSION (mm)</b>	L: 58.9, W: 38.3, H: 22.2
<b>WEIGHT</b>	71 gms
<b>OPERATING TEMPERATURE</b>	-40 °C ~ +80 °C