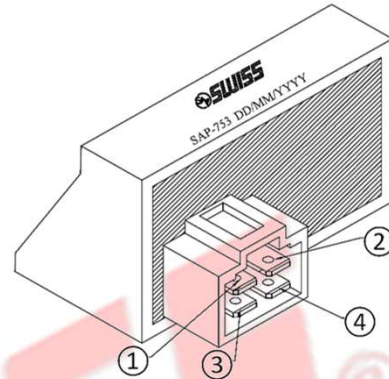


PART No.	SAP-0753	SPECIFICATIONS
PRODUCT	Regulator Rectifier	

Final Product	Connection Details
----------------------	---------------------------



BOX COLOUR - METALLIC GREY
 EPOXY COLOUR - BLACK
 COUPLER COLOUR - BLACK



CONNECTION DETAILS:-

- ① BATTERY (+)
- ② LOAD
- ③ A.C. SUPPLY
- ④ G.N.D.

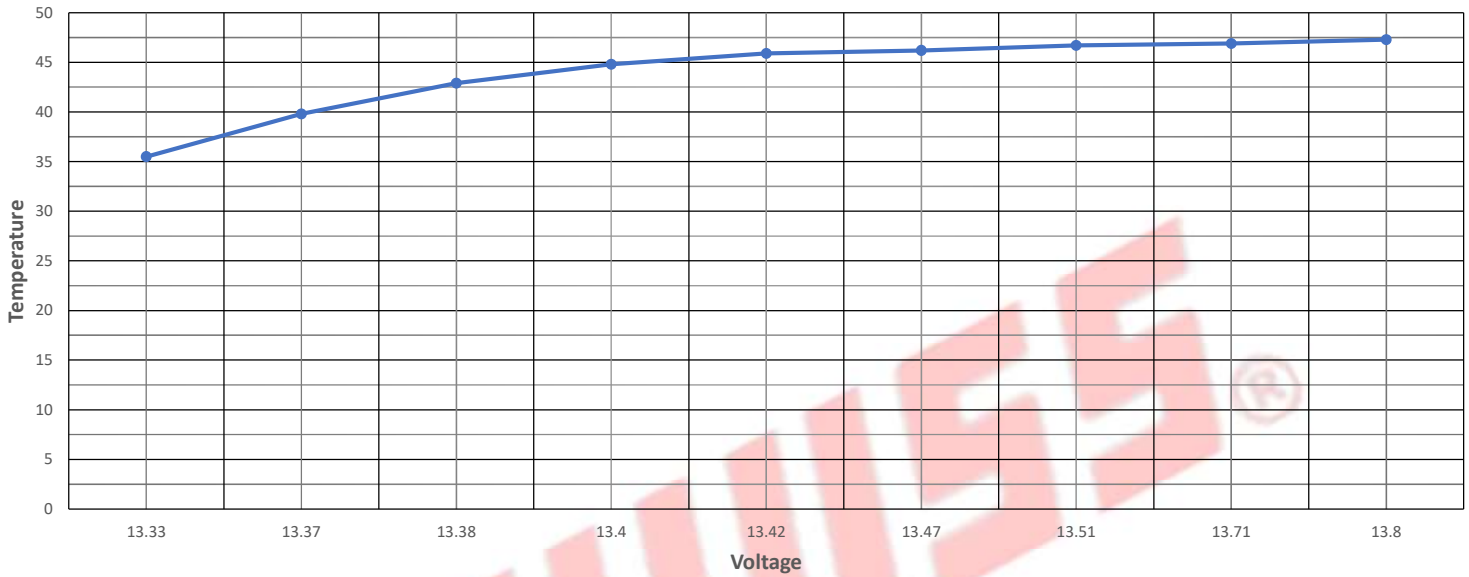
ELECTRICAL SPECIFICATIONS		
----------------------------------	--	--

1	AC Input Voltage	> 340Vpp @9000 RPM
2	AC Input Frequency	< 1KHz (606Hz) @9000 RPM
3	DC Output Current at battery (With 12V/2.5W load)	3.2 ±0.3 Amp. @3000 RPM
4	AC Output Current at regulator (With 12V/35W load)	2.8 ±0.3 Amps. @3000 RPM
5	DC Output Voltage with battery	13.7-14.27 VDC @3000 RPM
6	DC Output Voltage in absence of battery	15V @3000 RPM
7	AC Output Voltage at regulator (With 12V/35W load)	10.5V-12VAC @3000 RPM
8	Temperature co-efficient of DC Output Voltage	±4.3mV/°C @3000 RPM (fixed of time interval)
9	SCR Forward Voltage Drop	Max. 1.5V
10	Terminal B & E Leakage Current @ Vb=13V	Max. 100uA
11	Insulation Resistance	100M Ohm
12	Internal Device Allowed Temperature	110°C

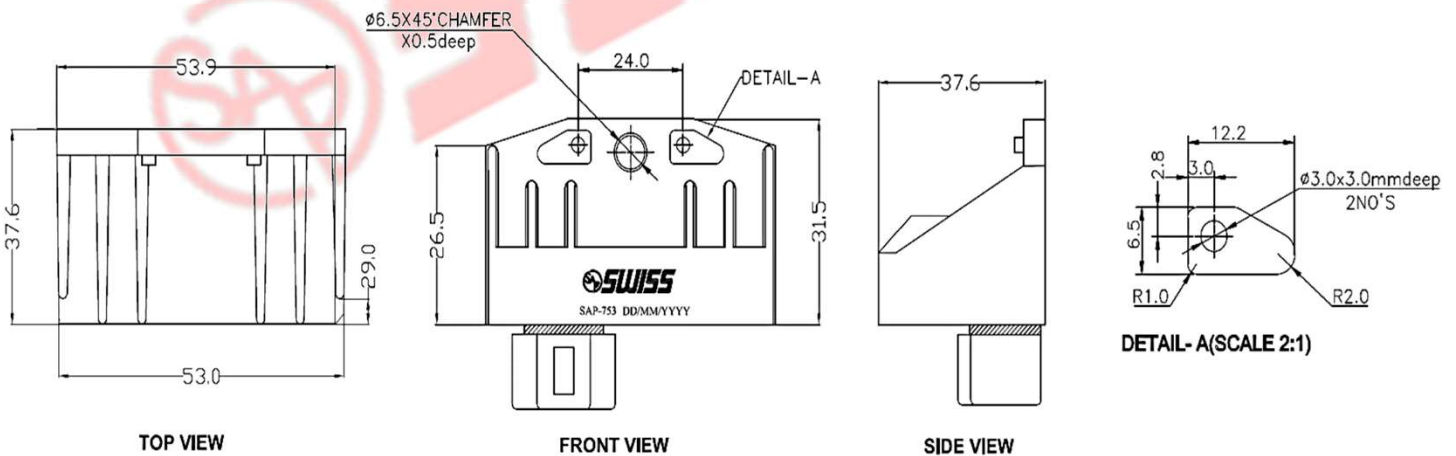
PART No.	SAP-0753	SPECIFICATIONS
PRODUCT	Regulator Rectifier	

PERFORMANCE GRAPHS

Temperature Co-efficient Curve



MECHANICAL DRAWING



MECHANICAL SPECIFICATION

ENCLOSURE	Aluminium Case filled with epoxy resin
DIMENSION (mm)	L: 26.5, W: 53.9, H: 37.6
WEIGHT	75 gms
OPERATING TEMPERATURE	-40 °C ~ +80 °C