
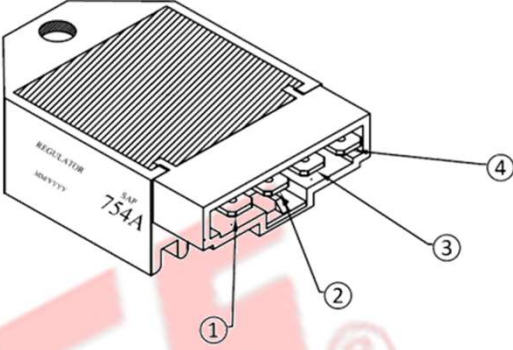


<b>PART No.</b>	SAP-0754A	<b>SPECIFICATIONS</b>
<b>PRODUCT</b>	Regulator Rectifier	
<b>Final Product</b>		<b>Connection Details</b>
		
<p>BOX COLOUR - MEATALLIC GREY  EPOXY COLOUR - BLACK  COUPLER COLOUR - BLACK</p>		<p><b>CONNECTION DETAILS:-</b></p> <p>① BATTERY      ③ G.N.D.  ② CHARGING    ④ LOAD</p>

### ELECTRICAL SPECIFICATIONS

<b>1</b>	<b>AC Input Voltage</b>	> 352Vpp @9000 RPM
<b>2</b>	<b>AC Input Frequency</b>	< 1KHz (606Hz) @9000 RPM
<b>3</b>	<b>DC Output Current at battery (With 12V/2.5W load)</b>	1.5 ±0.3 Amp. @3000 RPM
<b>4</b>	<b>AC Output Current at regulator (With 12V/35W load)</b>	2.9 ±0.3 Amps. @3000 RPM
<b>5</b>	<b>DC Output Voltage with battery</b>	13.5-14.8 VDC @3000 RPM
<b>6</b>	<b>DC Output Voltage in absence of battery</b>	8V @3000 RPM
<b>7</b>	<b>AC Output Voltage at regulator (With 12V/35W load)</b>	12.8-13.8 VAC @3000 RPM
<b>8</b>	<b>Temperature co-efficient of DC Output Voltage</b>	±0.6mV/°C @3000 RPM (fixed of time interval)
<b>9</b>	<b>SCR Forward Voltage Drop</b>	Max. 1.5V
<b>10</b>	<b>Terminal B &amp; E Leakage Current @ Vb=13V</b>	Max. 100uA
<b>11</b>	<b>Insulation Resistance</b>	100M Ohm
<b>12</b>	<b>Internal Device Allowed Temperature</b>	110°C

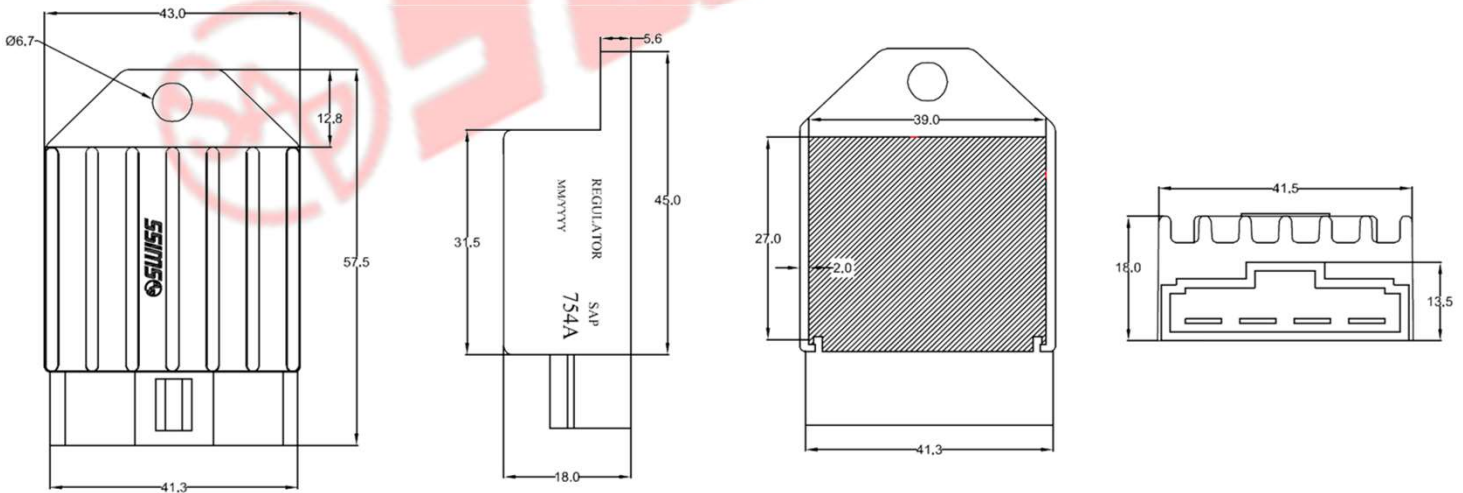
<b>PART No.</b>	SAP-0754A	<b>SPECIFICATIONS</b>
<b>PRODUCT</b>	Regulator Rectifier	

### PERFORMANCE GRAPHS

Temperature Co-efficient Curve



### MECHANICAL DRAWING



### MECHANICAL SPECIFICATION

<b>ENCLOSURE</b>	Aluminium Case filled with epoxy resin
<b>DIMENSION (mm)</b>	L: 57.5, W: 43.0, H: 18.0
<b>WEIGHT</b>	52 gms
<b>OPERATING TEMPERATURE</b>	-40 °C ~ +80 °C