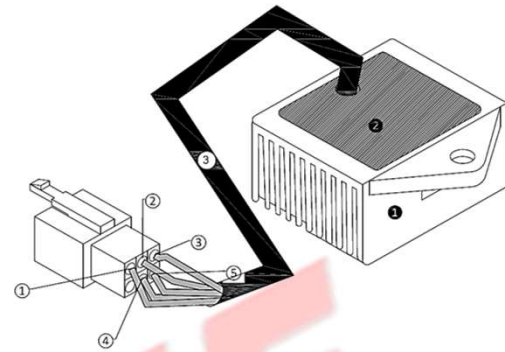


PART No.	SAP-0760	SPECIFICATIONS
PRODUCT	Regulator Rectifier	

Final Product	Connection Details
----------------------	---------------------------



BOX COLOUR - METALLIC GREY
 EPOXY COLOUR - BLACK
 VTB COLOUR - BLACK



CONNECTION DETAILS:-

- ① RED - BATTERY (+)VE
- ② YELLOW/WHITE - A.C. O/P FOR HEAD LAMP
- ③ BLACK/WHITE - G.N.D.
- ④ YELLOW/WHITE - A.C. I/P
- ⑤ RED/WHITE - BATTERY CHARGING A.C.

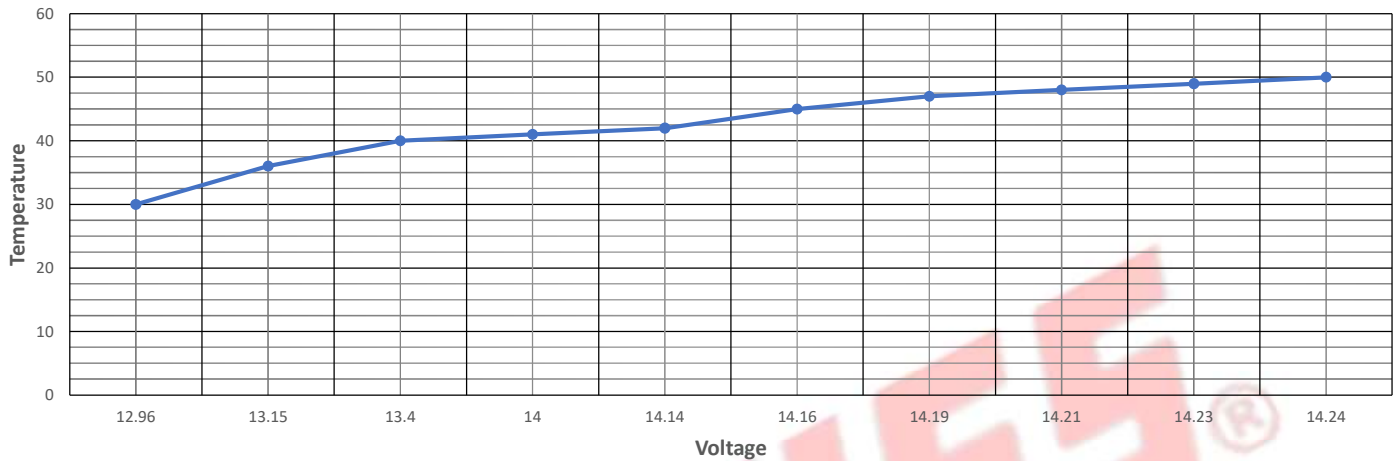
ELECTRICAL SPECIFICATIONS

1	AC Input Voltage	> 400Vpp @9000 RPM
2	AC Input Frequency	< 1KHz (600Hz) @9000 RPM
3	DC Output Current at battery (With 12V/2.5W load)	0.28 ±0.3 Amps. @3000 RPM
4	AC Output Current at regulator (With 12V/35W load)	2.6 ±0.3 Amps. @3000 RPM
5	DC Output Voltage with battery	14 VDC @3000 RPM
6	DC Output Voltage in absence of battery	5.60 VDC @3000 RPM
7	AC Output Voltage at regulator (With 12V/35W load)	13.2 VAC @3000 RPM
8	Temperature co-efficient of DC Output Voltage	± 4.5mV/°C @3000 RPM (fixed of time interval)
9	SCR Forward Voltage Drop	Max. 1.5V
10	Terminal B & E Leakage Current @ Vb=13V	Max. 100uA
11	Insulation Resistance	100M Ohm
12	Internal Device Allowed Temperature	110°C

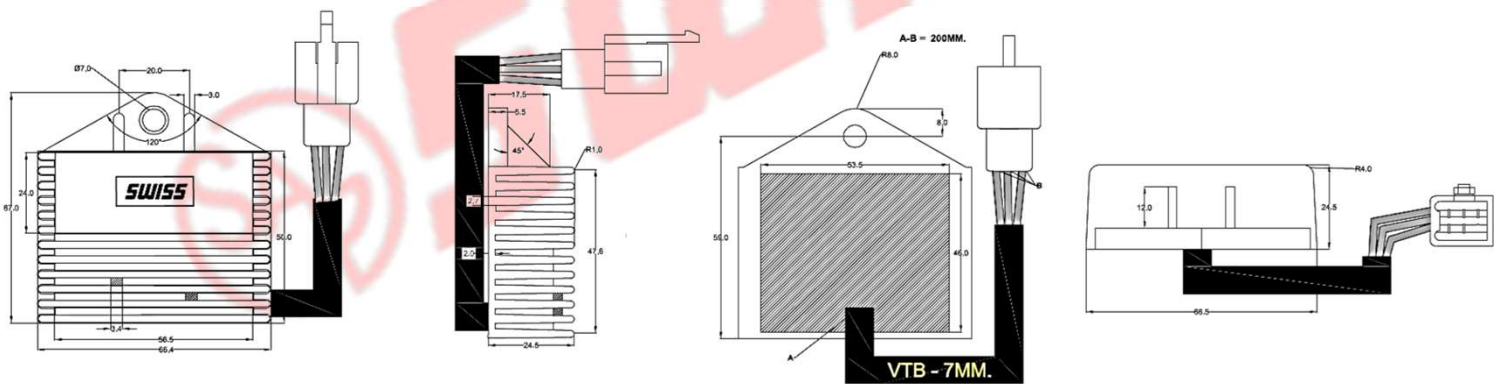
PART No.	SAP-0760	SPECIFICATIONS
PRODUCT	Regulator Rectifier	

PERFORMANCE GRAPHS

Temperature Co-efficient Curve



MECHANICAL DRAWING



MECHANICAL SPECIFICATION

ENCLOSURE	Aluminium Case filled with epoxy resin
DIMENSION (mm)	L: 67.0, W: 66.4, H: 24.5
WEIGHT	95 gms
OPERATING TEMPERATURE	-40 °C ~ +80 °C