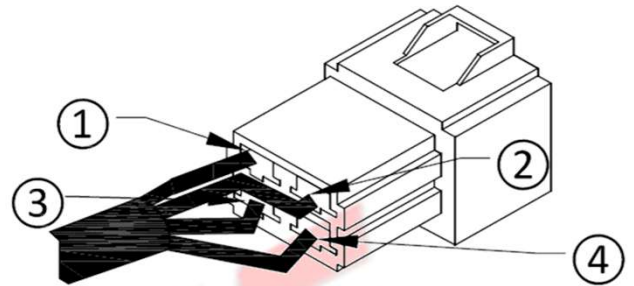


PART No.	SAP-0763F	SPECIFICATIONS
PRODUCT	Rectifier	

Final Product	Connection Details
---------------	--------------------



BOX COLOUR	-	BLACK
EPOXY COLOUR	-	BLACK
COUPLER COLOUR	-	WHITE
HEAT SINK COLOUR	-	METALLIC GREY



CONNECTION DETAILS:-

- ① BLUE/WHITE - A.C. ③ BLACK/YELLOW - GND.
- ② BLUE/WHITE - A.C. ④ WHITE - DC +12V

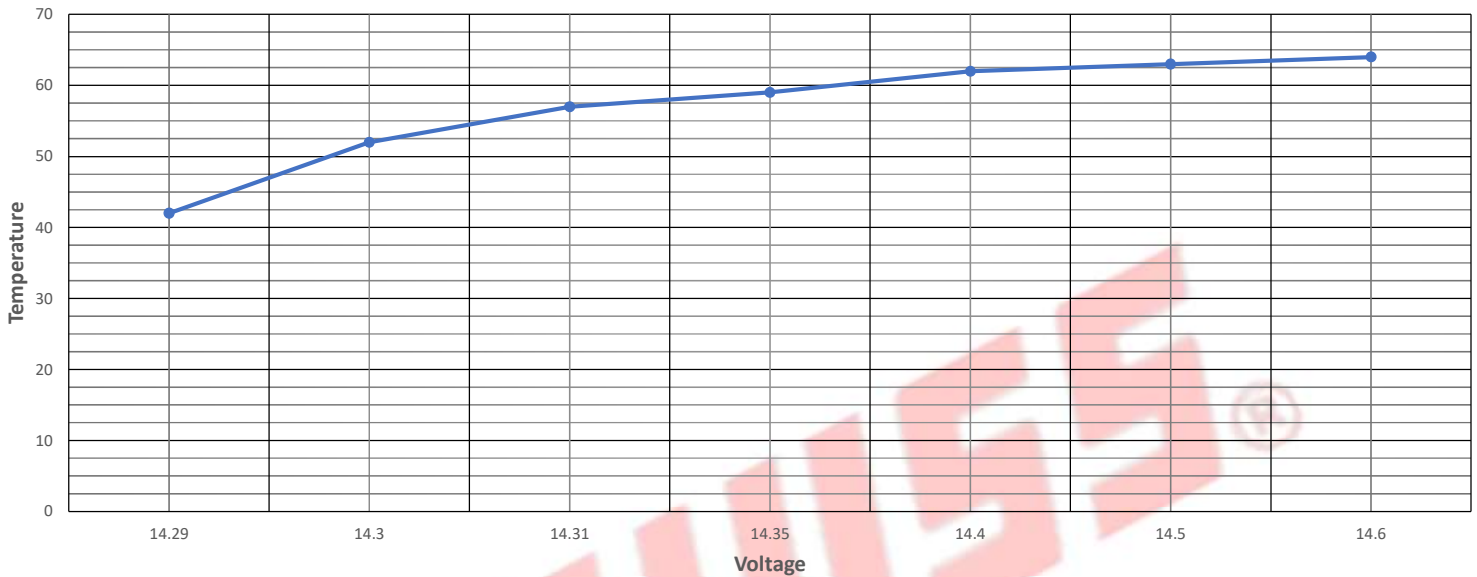
ELECTRICAL SPECIFICATIONS

1	AC Input Voltage	> 230Vpp @9000 RPM
2	AC Input Frequency	< 1KHz (606Hz) @9000 RPM
3	DC Output Current at battery (With 12V/2.5W load)	2.7 ±0.3 Amps. @2200 RPM
4	DC Output Voltage with battery	14.4 VDC @2200 RPM
5	DC Output Voltage in absence of battery	14.8 @9000 RPM
6	Temperature co-efficient of DC Output Voltage	±1.2mV/°C @2200 RPM (fixed of time interval)
7	SCR Forward Voltage Drop	Max. 1.5V
8	Terminal B & E Leakage Current @ Vb=13V	Max. 100uA
9	Insulation Resistance	100M Ohm
10	Internal Device Allowed Temperature	110°C
11	Charging Starts at	1000 RPM

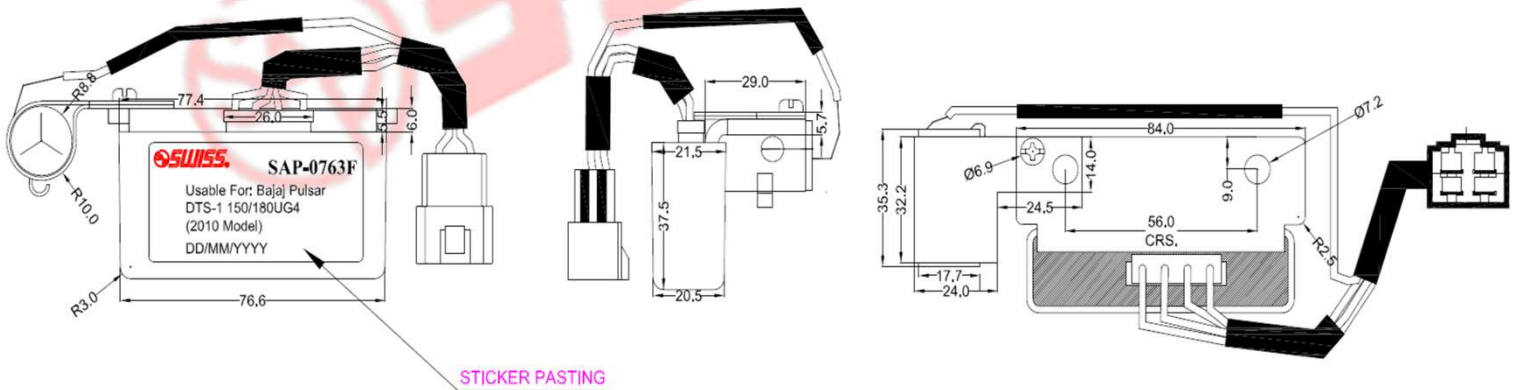
PART No.	SAP-0763F	SPECIFICATIONS
PRODUCT	Rectifier	

PERFORMANCE GRAPHS

Temperature Co-efficient Curve



MECHANICAL DRAWING



MECHANICAL SPECIFICATION

ENCLOSURE	ABS Case filled with epoxy resin
DIMENSION (mm)	L: 37.5, W: 76.6, H: 21.5
WEIGHT	173 gms
OPERATING TEMPERATURE	-40 °C ~ +80 °C