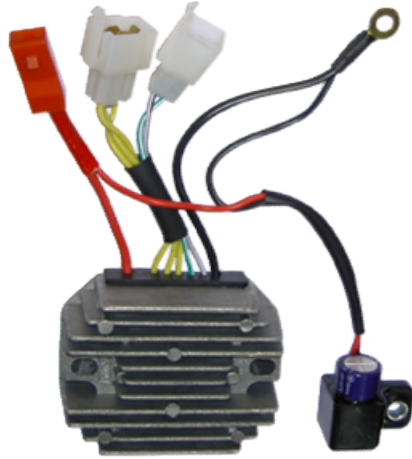


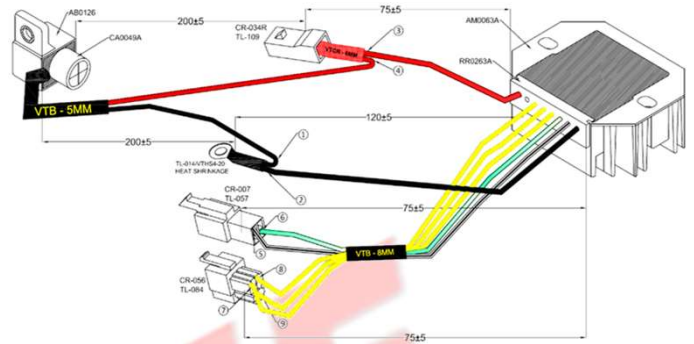
PART No.	SAP-0782A	SPECIFICATIONS
PRODUCT	Rectifier	

Final Product	Connection Details
----------------------	---------------------------



NOTE:-

BOX COLOUR - METALLIC GREY
 EPOXY COLOUR - BLACK



CONNECTION DETAILS:-

- | | | | |
|---------------|--------------|---------------|---------------|
| ① BLACK | - G.N.D. | ⑥ GREEN/WHITE | - PILOT LAMP |
| ② BLACK | - G.N.D. | ⑦ YELLOW | - A.C. SUPPLY |
| ③ RED | - +12V D.C. | ⑧ YELLOW | - A.C. SUPPLY |
| ④ RED | - +12V D.C. | ⑨ YELLOW | - A.C. SUPPLY |
| ⑤ WHITE/BLACK | - PILOT LAMP | | |

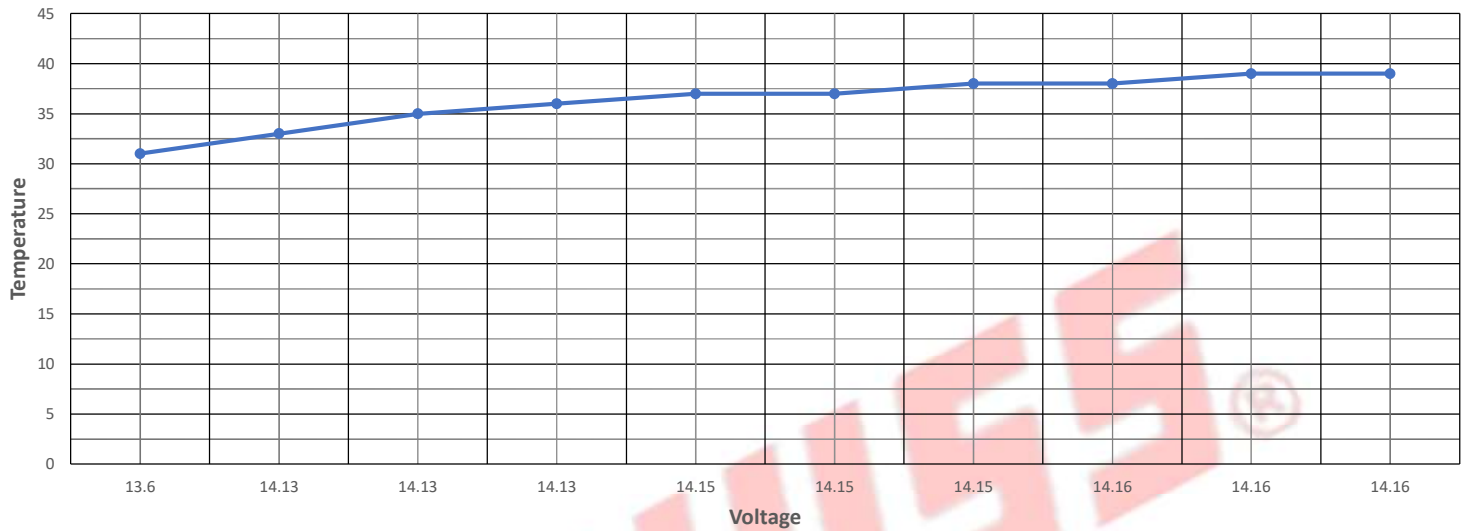
ELECTRICAL SPECIFICATIONS

1	AC Input Voltage	> 350Vpp @9000 RPM
2	AC Input Frequency	< 1KHz (794Hz) @9000 RPM
3	DC Output Voltage in absence of battery	16.34 VDC @3000 RPM
4	DC Output Voltage with battery	14.15 VDC @3000 RPM
5	DC Output Current at battery (With 12V/2.5W load)	0.16 ±0.3 Amps. @3000 RPM
6	Temperature co-efficient of DC Output Voltage	± 4.1mV/°C @3000 RPM (fixed of time interval)
7	SCR Forward Voltage Drop	Max. 1.5V
8	Terminal B & E Leakage Current @ Vb=13V	Max. 100uA
9	Insulation Resistance	100M Ohm
10	Internal Device Allowed Temperature	110°C

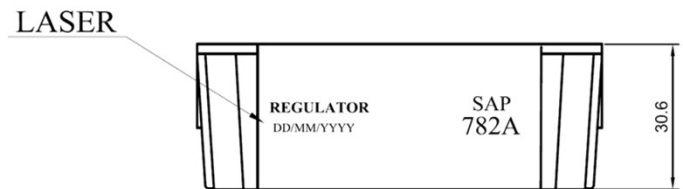
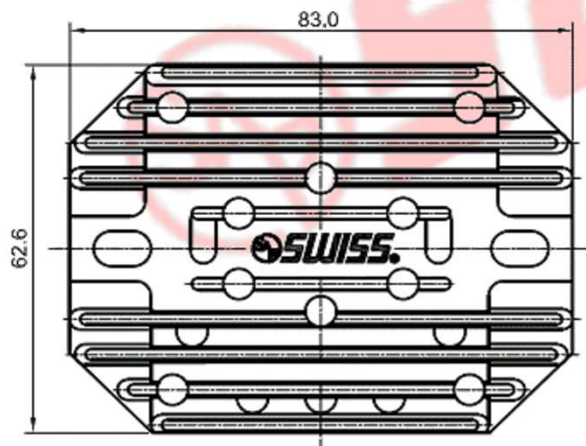
PART No.	SAP-0782A	SPECIFICATIONS
PRODUCT	Rectifier	

PERFORMANCE GRAPHS

Temperature Co-efficient Curve



MECHANICAL DRAWING



MECHANICAL SPECIFICATION

ENCLOSURE	Aluminium Case filled with epoxy resin
DIMENSION (mm)	L: 62.6, W: 83.0, H: 30.6
WEIGHT	270 gms
OPERATING TEMPERATURE	-40 °C ~ +80 °C