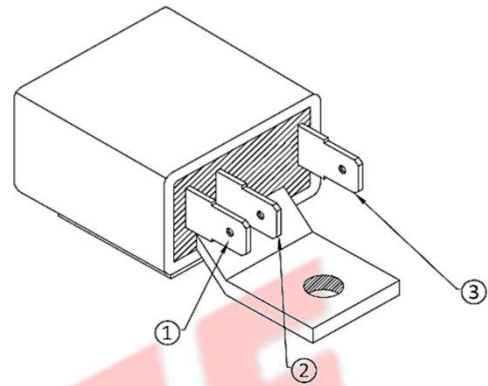


<b>PART No.</b>	SAP-0804	<b>SPECIFICATIONS</b>
<b>PRODUCT</b>	Regulator	

<b>Final Product</b>	<b>Connection Details</b>
----------------------	---------------------------



BOX COLOUR - BLACK  
 EPOXY COLOUR - BLACK  
 HEAT SINK COLOUR - METALLIC GREY



**CONNECTION DETAILS:-**

- ① LOAD O/P                      ③ G.N.D.
- ② A.C. VOLTAGE

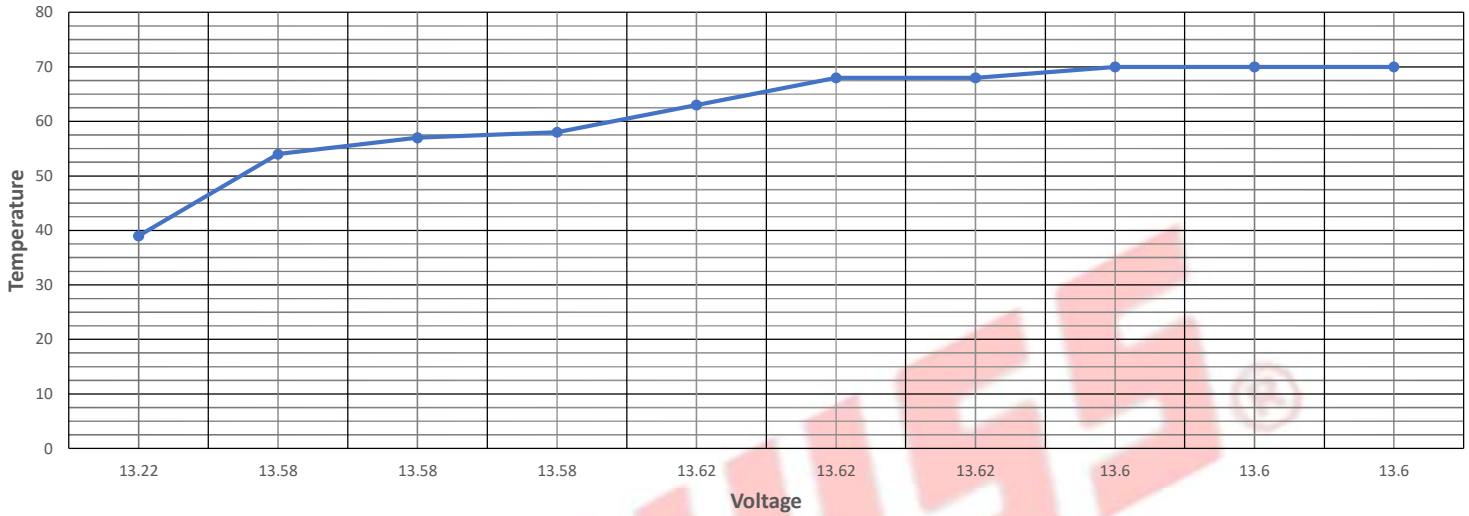
<b>ELECTRICAL SPECIFICATIONS</b>		
----------------------------------	--	--

<b>1</b>	<b>AC Input Voltage</b>	> 350Vpp @9000 RPM
<b>2</b>	<b>AC Input Frequency</b>	< 1KHz (604Hz) @9000 RPM
<b>3</b>	<b>AC Output Current at regulator (With 12V/35W load)</b>	2.6 ±0.3 Amps. @3000 RPM
<b>4</b>	<b>AC Output Voltage at regulator (With 12V/35W load)</b>	13.10 VAC @3000 RPM
<b>5</b>	<b>Temperature co-efficient of DC Output Voltage</b>	±1.1mV/°C @3000 RPM (fixed of time interval)
<b>6</b>	<b>SCR Forward Voltage Drop</b>	Max. 1.5V
<b>7</b>	<b>Terminal B &amp; E Leakage Current @ Vb=13V</b>	Max. 100uA
<b>8</b>	<b>Insulation Resistance</b>	100M Ohm
<b>9</b>	<b>Internal Device Allowed Temperature</b>	110°C

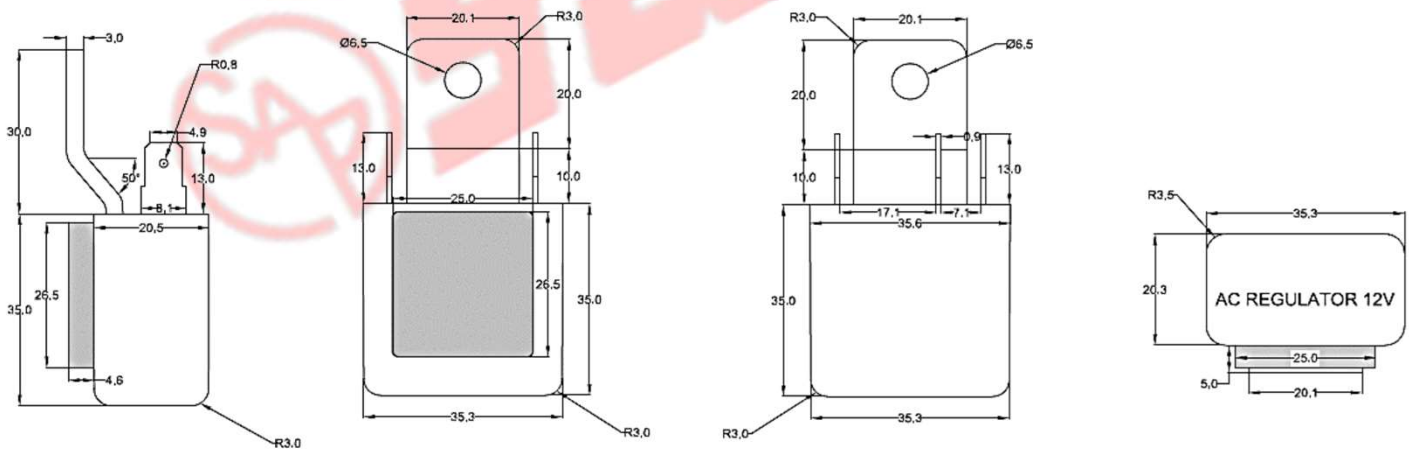
<b>PART No.</b>	SAP-0804	<b>SPECIFICATIONS</b>
<b>PRODUCT</b>	Regulator	

**PERFORMANCE GRAPHS**

Temperature Co-efficient Curve



**MECHANICAL DRAWING**



**MECHANICAL SPECIFICATION**

<b>ENCLOSURE</b>	ABS Case filled with epoxy resin
<b>DIMENSION (mm)</b>	L: 65.0, W: 35.3, H: 35.3
<b>WEIGHT</b>	95 gms
<b>OPERATING TEMPERATURE</b>	-40 °C ~ +80 °C